

Fluorescent Quantitative PCR Detection System



Introduction:

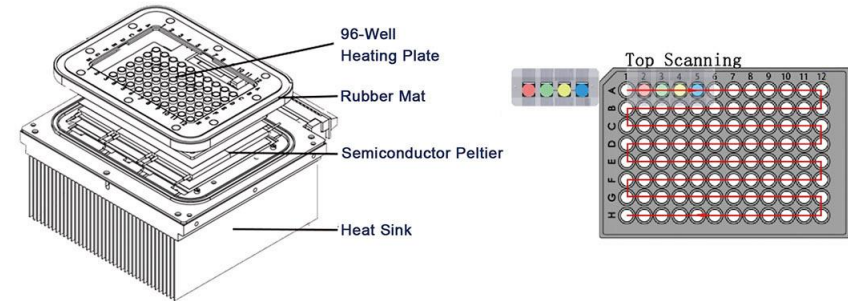
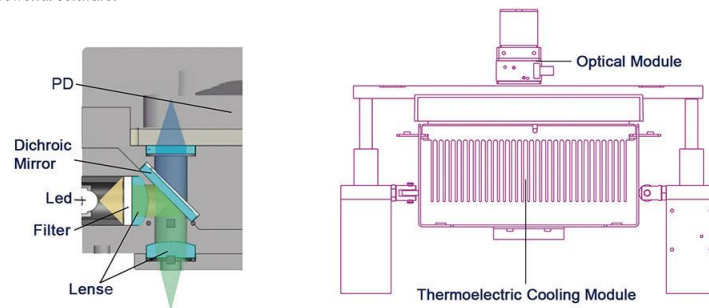
Real-time PCR is used for sensitive, specific detection and quantification of nucleic acid targets. We have developed powerful assay design algorithms, optimized qPCR reagent, intuitive data analysis software, and flexible instrumentation to help harness the power of qPCR across a rich and diverse set of applications. Explore our robust solutions for your qPCR-based research.

Application:

It can be widely used for Infectious disease research, Food pathogen detection, Waterborne pathogen detection, Pharmaceutical analytics, Stem cell research, Pharmacogenomics research, Oncology and genetic disease research, Plant sciences and agricultural biotechnology.

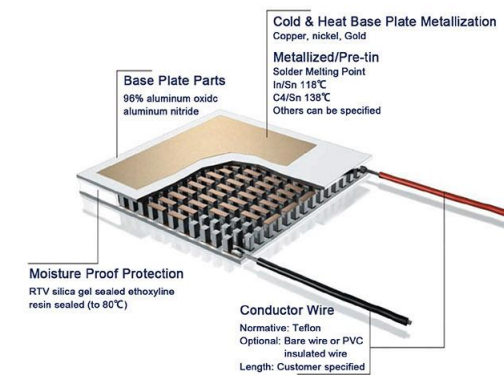
Working Principle:

The temperature step change is controlled by the semiconductor peltier to realize PCR amplification. Use high-sensitivity PD unit to detect fluorescence; Program control channel switching, non-contact excitation/detection on the top structure, coordinated with motor control x and Y axis movement to achieve 96-hole scanning. Finally, accurate analysis is carried out through powerful software.



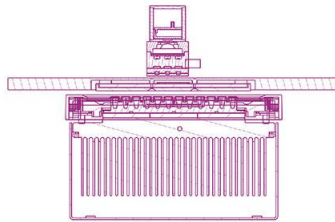
Features:

- * Excellent temperature control performance of the instrument, Module Max heating rate/heating rate 7.0°C/s.
- * No edge effect, no optical path correction, top excitation/detection, non-contact measurement.
- * Fluorescence detection adopts PD sensor with high sensitivity.
- * Long-life LED light source, stable emission wavelength, maintenance-free.
- * 4/6-channel fluorescence detection, no cross interference between channels.
- * User-friendly and fully functional software, flexible program setting, comprehensive analysis and reporting functions, all the parameters can be stored.



Real-time PCR Hardware:

Thermoelectric cooling module (TEM) is a semiconductor device composed of many tiny and effective heat pumps. By applying a low-voltage DC power supply, heat will be transferred from one side of the TEM to the other side, resulting in a phenomenon that one side of the TEM becomes hot and the other side becomes cold. Since this phenomenon is completely reversible, when the polarity of the DC power supply is changed, it will be affected. Shift in the opposite direction. This product adopts a long-life series TEM, which provides longer life and more efficiency during thermal cycling.



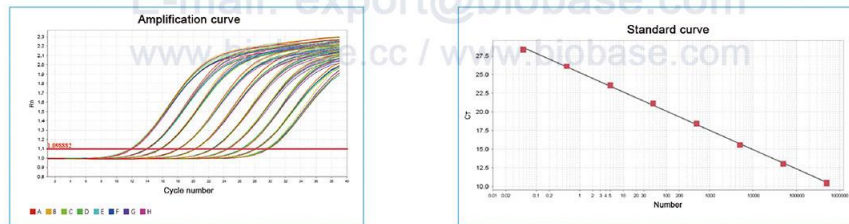
The integrated design of the scanning module and the heating cover module, relying on its own gravity to compress the heating plate and the reagent cover, and is supported by four compression springs to prevent the sample tube from being crushed; at the same time, the rubber pad around the heating cover is pressed to ensure that there is no external light source interference in the detection ; The bottom of the cam mechanism is used to support the spacing to ensure the smooth sliding of the heating module; the guide rail mechanism on both sides of the heating module prevents the module from shifting and ensures the accuracy of the mechanical scanning structure.

Real-time PCR Software:

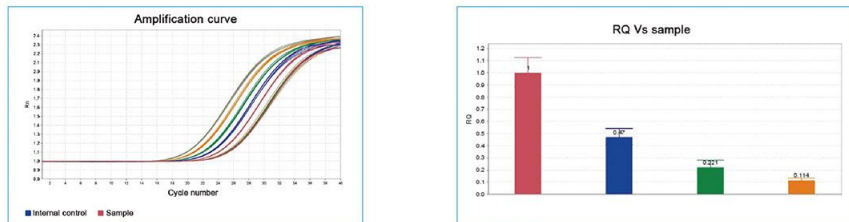


The software includes functions such as absolute quantification experiment, melting curve experiment, relative quantification (AACT) experiment, and genotyping experiment. Enter the attribute setting interface and select different functionmodules. Guided flow operation, convenient for users to quickly complete experimental settings. The software can open the recent experiment record template for easy viewing of recent experiments and the creation of new experiments.

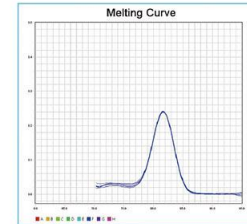
Absolute Quantification Experiment:



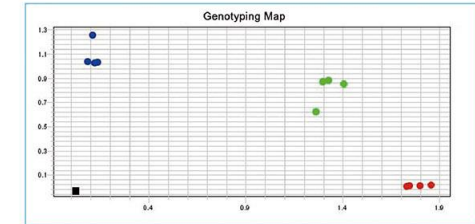
Relative Quantification (AACT) Experiment:



Melting Curve Experiment:



Genotyping Experiment:



Parameters:

Model	LEIA-X4			
Sample Capacity	96*0.1ml PCR plate, 12*8-strip tubes, 96*0.1ml single tube (Transparent Cover)			
Reaction System	10-50µl			
Dynamics Range	1-10 ¹⁰ copies			
Channel	4			
Emission Light	LED			
Detector	MPPC			
Detection Path	F1	F2	F3	F4
Suitable Probe/Dye	FAM/SYBR GREEN	VIC/JOE/ HEX/TET	ROX/TEXAS-RED	Cy5
Excitation Wavelength	455-680nm			
Detection Wavelength	510-730nm			
Fluorescence Detection Repeatability	CV≤2%			
Fluorescence Detection Accuracy	CV≤3%			
Fluorescence Detection Linearity	r≥0.995			
Module Temp. Range	4-99℃ (resolution:0.1℃)			
Ramp Rate	5.0℃/s(max)			
Temp. Accuracy	±0.3℃			
Temp. Uniformity	≤ ±0.3℃			
Temp. Control Mode	Block mode			
Gradient Temp. Range	1-36℃			
Hot-Lid Temp. Range	100℃, Automatic Hot-lid			
Scanning Mode	Full plate scanning			
Programming	Max 100 Segments for Each Program, Max 99 Cycles			
Operation Mode	Continuous			
Scanning Time	8.5s			
Special Function	Absolute quantitative automatic analysis, relative quantification, SNP Analysis, melting curve analysis, etc.			
Operation System	Microsoft: Windows10			
Power Supply	220V,50/60HZ; 110V,60HZ			
Dimension(L*W*H) Mm	375*490 *365			
Port Method	USB Port			
Packing Size(L*W*H) Mm	645*565 *605			
Gross Weight	45			